

# MDP FTV

## Mini DisplayPort connection system for harsh environment



### Description

MDPFTV is a complete ruggedized solution around Mini DisplayPort standard using a Tri Start Thread coupling mechanism (MIL-DTL-38999 series III type) to connect the two plug and receptacle parts.

This solution allows you to insert a standard Mini DP cordset into a metallic plug which will protect it from shocks, dust and fluids. The assembly of this ruggedized plug doesn't require any tool and can be easily done directly on the field.

The corresponding MDP FTV receptacle dedicated to be mounted on your panel enables you to reinforce and protect your system against leakage, shocks, vibrations and much more.

### Main features

#### Main characteristics :

- Tri Start Thread coupling mechanism (MIL-DTL-38999 series III type) with anti-decoupling device.
- Shell size 13.
- No cabling operation in field and no tools required.
- Improved EMI protection.
- Mating cycles : 500 min.
- Panel thickness : 1,6 mm min and 3,18 mm max for jam nut receptacle.

#### Data Transmission :

- Display 1.4 protocol.
- Transmission bandwidth : 32.4 Gbit/s with 8.1 Gbit/s per lane.
- Can support 8K UHD (7680 × 4320) at 60 Hz or 4K UHD (3840 × 2160) at 120 Hz.

#### Environmental protection :

- Sealed against fluids and dusts : IP68 mated.
- Salt spray : Aluminium shell : Nickel plating ✓ : 48h.  
Black zinc nickel plating ✓ : 500h.  
Olive drab cadmium plating : 500h

Fire retardant/Low smoke : EN45545 + UL94V0.

Vibrations : 10 - 500 Hz, 10 g, 3 axes : no discontinuity > 10 micro s.

Shocks: IK06 ► weight of 250 g drop from 40 cm [15.75 in.] onto connectors (mated pair).

Humidity : 21 days, 43°C, 98% humidity.

Temperature range : -40°C / +85°C.

✓ : RoHS compliant

### Markets & Applications



C4ISR, Battlefield,  
Ground vehicles



Navy



Railway



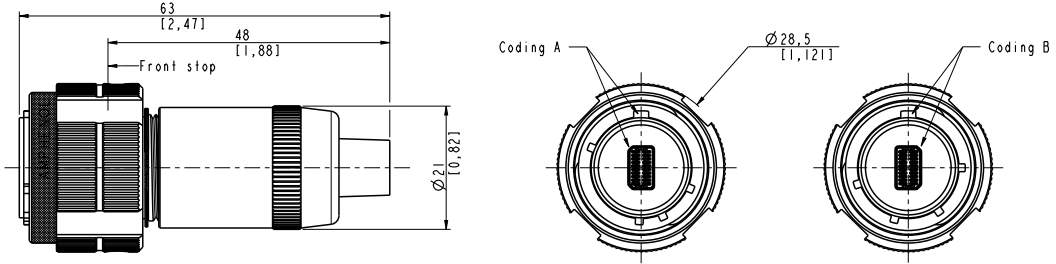
#### Applications :

- Data acquisition and transmission in harsh environment, radars, shelters, battlefield communication

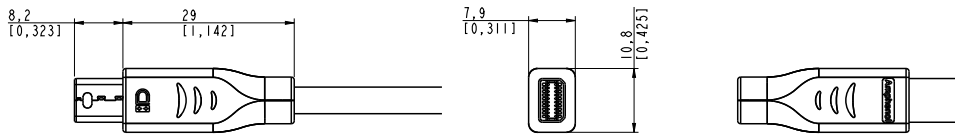
Plug

Plug without cordset - Shell type 6

Part number type: **MDP FTV 6 XX**



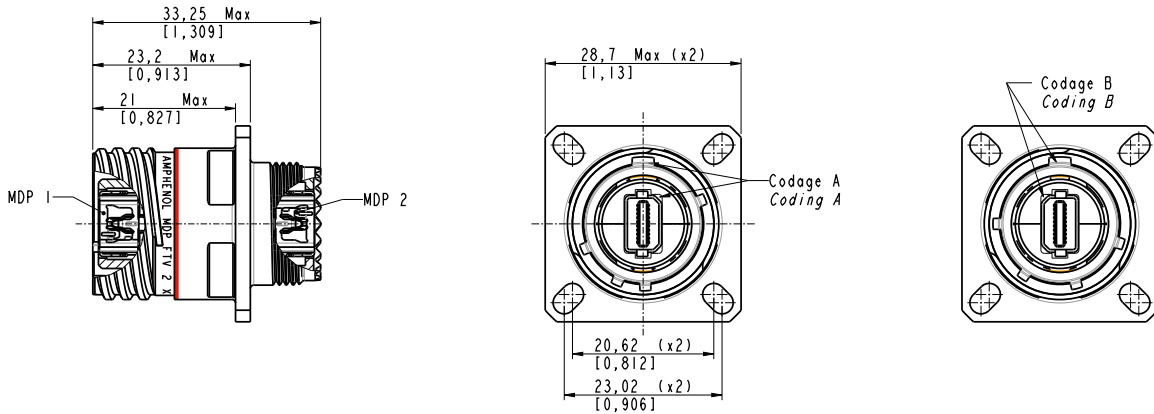
MiniDP plug recommendation dimensions (not included)



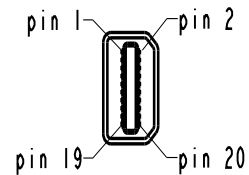
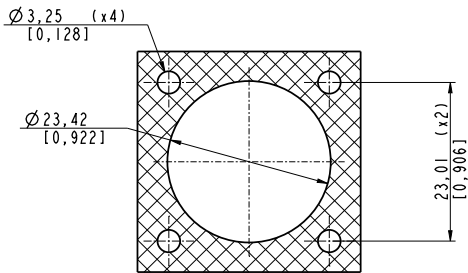
Receptacles

Square flange receptacle – Shell type 2 - 4 mounting holes

Part number type: **MDP FTV 2 XX**



Panel drilling

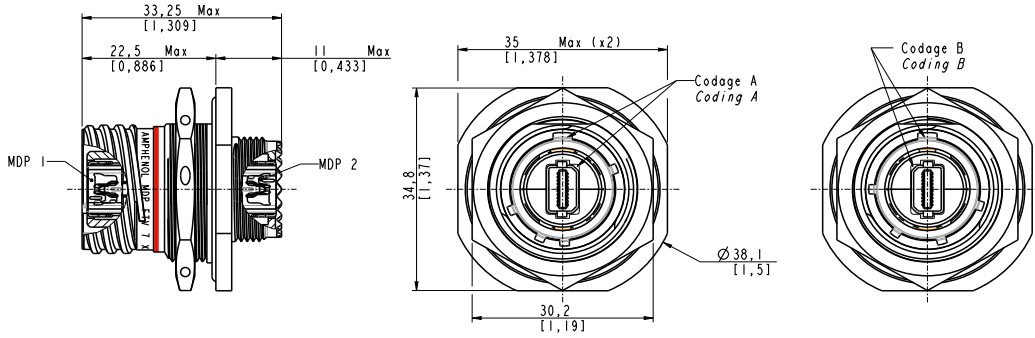


X: see the 'How to order' below to complete your part number

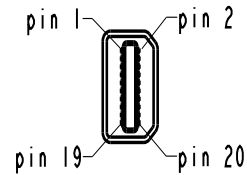
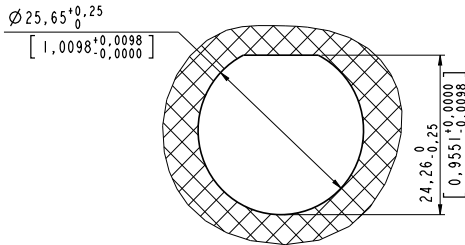
Receptacles

Jam nut receptacle – Shell type 7 - Hexagonal nut mounting

Part number type: **MDP FTV 7 XX**

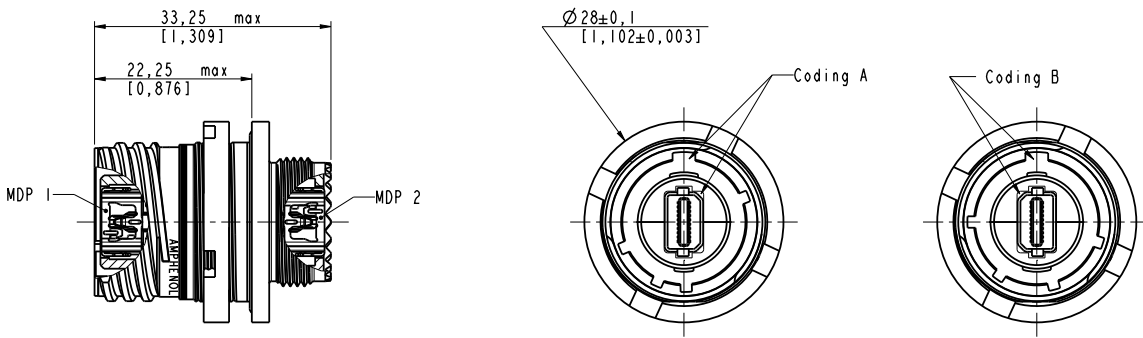


Panel drilling



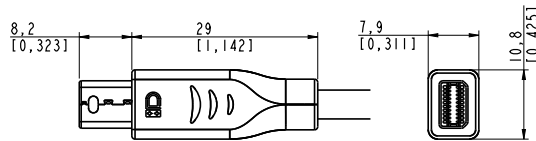
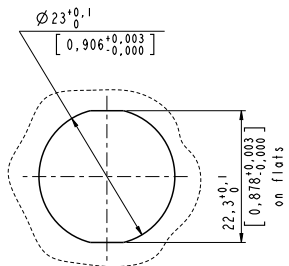
Reduced flange Jam nut receptacle – Shell type 7 - Castle nut mounting: Deviation F312

Part number type: **MDP FTV 7 XX F312**



Panel drilling

MiniDP plug recommendation dimensions (not included)

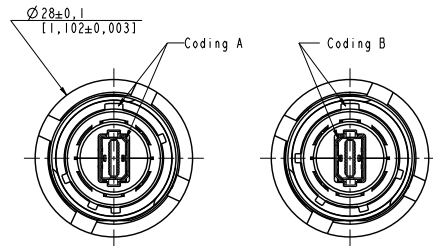
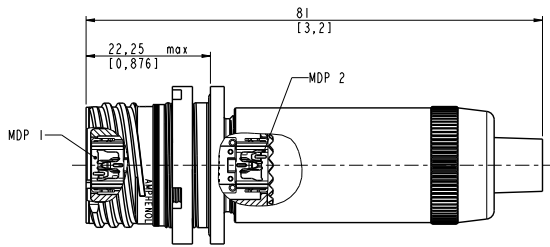


X: see the 'How to order' below to complete your part number

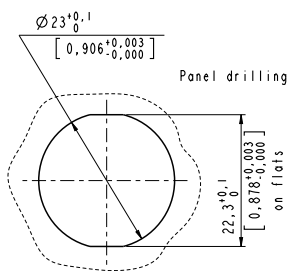
## Receptacles

### Reduced flange Jam nut receptacle – Shell type 7PE with metal backshell - Castle nut mounting: Deviation F312

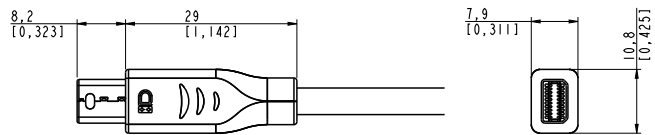
Part number type: **MDP FTV 7 X PE X F312**



Panel drilling

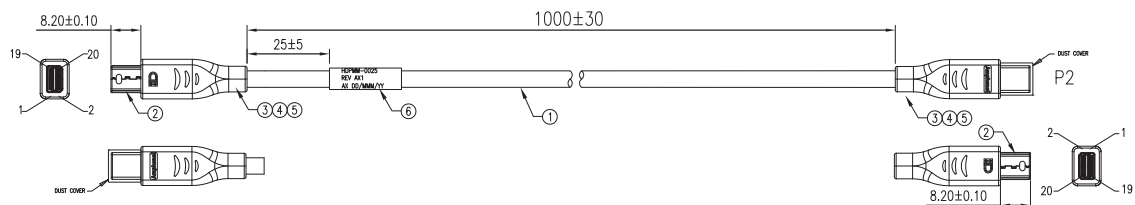


MiniDP plug recommendation dimensions (not included)

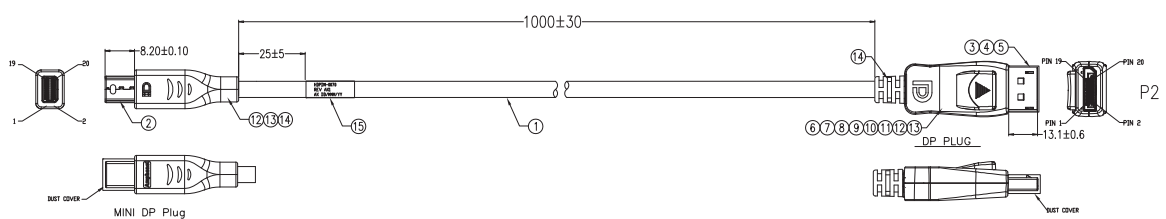


## Cordsets

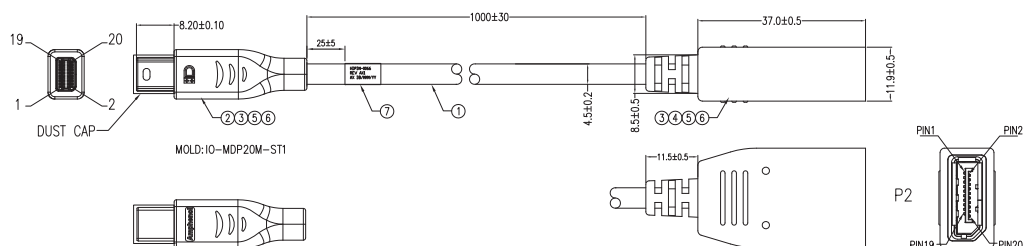
### MiniDisplay Port - MiniDisplay Port cordset



### MiniDisplay Port – Display Port cordset



### MiniDisplay Port – Female Display Port cordset

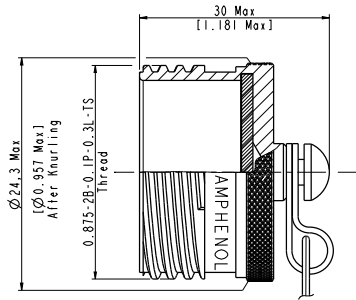


**X:** see the 'How to order' below to complete your part number

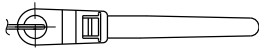
## Accessories

### Standard protective cap

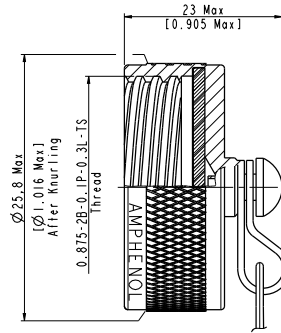
Part number: **MDPF<sub>TV</sub> C 6 X**



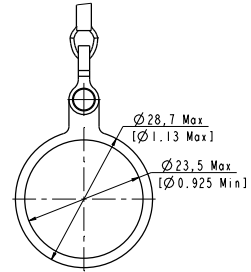
Tie wrap for plug cap



Part number: **MDPF<sub>TV</sub> C 2 X or MDPFTV C 7 X**



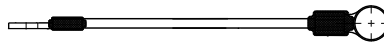
Ring for reduced flange jam nut receptacle



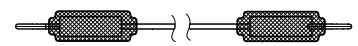
Metallic chain



Stainless steel rope



Nylon rope



Cap type	Metallic chain length (mm)	Nylon cord length (mm)	Stainless steel rope length (mm)
<b>MDPF<sub>TV</sub> C 2 &amp; MDPFTV C 7</b>		127 (+13,-7)	
<b>MDPF<sub>TV</sub> C 6</b>		160±5	

**X:** see the 'How to order' below to complete your part number



## How to order - Connector

1.	2.	3.	4.	5.	6.
Series	Shell type	Coding	Backshell	Material and platings	Deviation
MDP FTV	7	A	PE	G	F312

### 1. Series

MDP FTV MiniDisplay Port

### 4. Backshell (for receptacle only)

PE Metal backshell

### 2. Shell type

- 6 Plug
- 2 Square flange receptacle
- 7 Jam nut receptacle

### 5. Material and platings

	Shell material	Shell finish
G		Olive drab cadmium
N	Aluminum	Nickel ✓
ZN		Black zinc nickel ✓

### 3. Coding

- A Coding A
- B Coding B

### 6. Deviation (for jam nut receptacle only)

F312 Reduced flange receptacle

## How to order - Cordset

1.	2.	3.
Series	Cordset end	Coding
MDP	MDP	100

### 1. Series

MDP MiniDisplay Port

### 3. Length

100	1 m
150	1,50 m
200	2 m

### 2. Cordset end

- MDP Plug
- DP Display Port
- DPF Female Display Port

## How to order - Accessories

1.	2.	3.	4.	5.
Series	Connector type	Rope type	Shells material and finish	Deviation
MDPFTV C	7		G	F057

### 1. Series

MDPFTV C MDPFTV standard protective cap

### 4. Shell material and finish

- N Nickel plating ✓
- G Olive drab cadmium
- ZN Black zinc nickel plating ✓

### 2. Connector type

- 6 Plug
- 2 Square flange receptacle
- 7 Jam nut receptacle

### 5. Deviation (for jam nut receptacle only)

F057 Reduced flange ring

### 3. Rope type

- Nylon cord
- M Metallic chain
- MR Stainless Steel rope - Transparent teflon jacket
- BMR Stainless Steel rope - Black teflon jacket