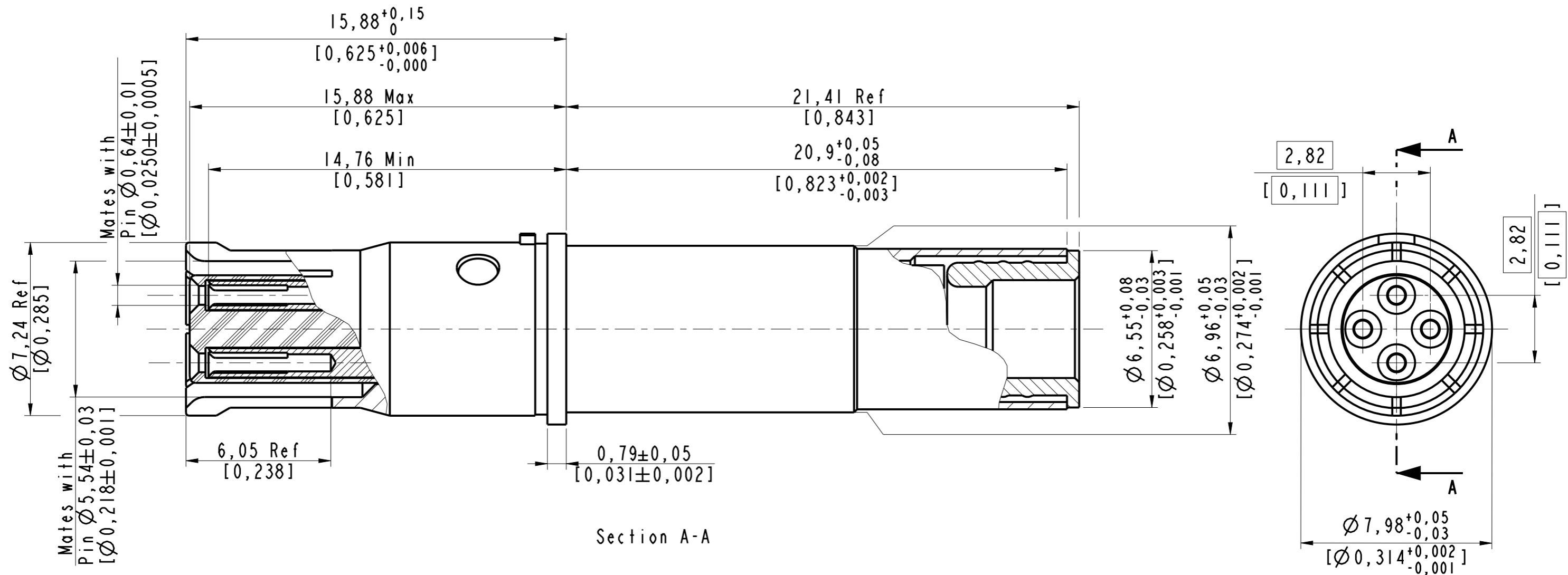


DANS LE BUT CONSTANT D'AMELIORER SES PRODUITS, Amphenol Socapex SE RESERVE LE DROIT D'EN MODIFIER TOUTE COTE OU CARACTERISTIQUE.
IMP 036 A



Contact Socket Quadrax for electrical connector
 Type D38999 Serie I & III
 Part Number : 900338-AO
 Part Number AO : 21-033385-051

Notes:

1. Mates with D38999 quadrax pins 900330
2. Crimping Tools:
 Outer contact- M22520/5-01 tool, M22520/5-45 die set (hex closure A)
 Inner contacts- M22520/2-01 tool, Daniels K709 (M22520/2-37) Positioner
3. Terminates quadrax cable tensolite NF24Q100 (100 ohm) or equivalent
4. Contacts meet the envelope dimensional requirements of M39029/91
5. Dimensions in bracket : Dimensions in inch

MODIFICATIONS	B	MAJ 19/03/18	ECHELLE	Amphenol Socapex BP 29 - 74311 THYEZ CEDEX	DESSIN: P.Pawar	LE:06/09/13
			6		TECHNIQUE: L.Lagrange	LE:19/03/18
					B	
					173-PLC-1176-00 1/1	