



USBFTVX · Rugged and sealed USB connector

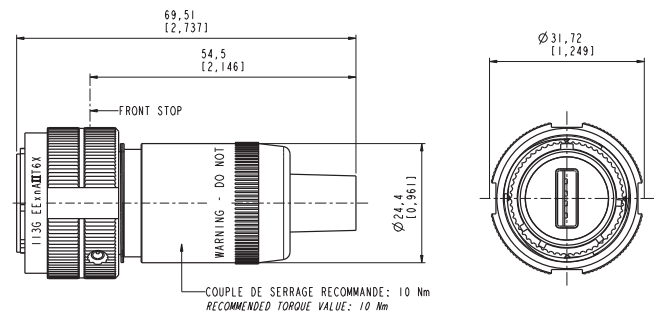


With USBFTVX, you can insert a standard USB 2.0 cordset into a metallic plug which will protect it from shocks, dust and fluids. This range is fitted to be used in Atex zone 2 environments. This metallic plug is connected into a receptacle, using a Tri Start thread coupling mechanism (MIL-DTL-38999 series III type) with anti-decoupling device for high vibrations. USBFTVX features the same main characteristics than USBFTV series (see page 76).

Characteristics

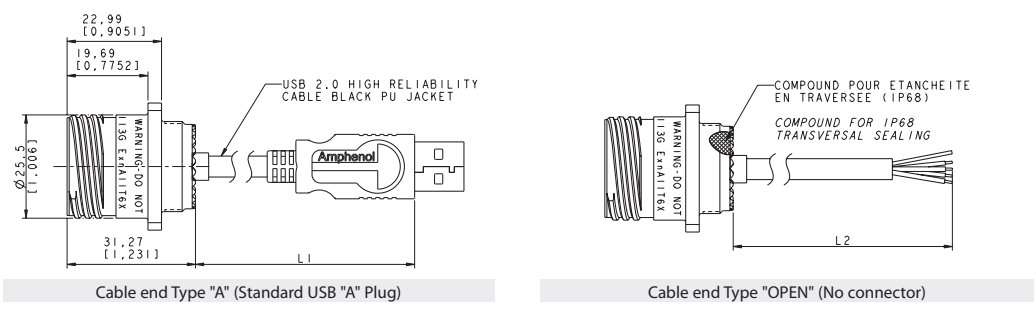
- Ex marking: IIG ExnAII6 X
- Operating temperature range: -40°C / +70°C
- Voltage: 60 Veff max
- Power: 20 W max
- Outside cable diameter: 4mm to 6mm
- Sealing: IP68
- Data transmission: USB 2.0 up to 480 Mb/s

Plug

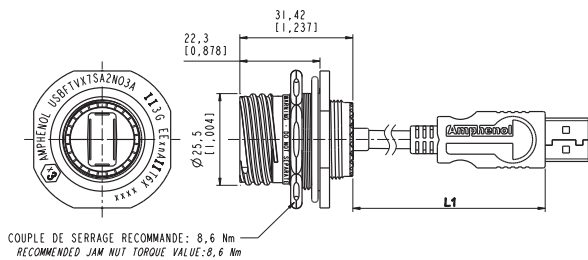


| Part number | Plating | Plug | IP68 metallic cap |
|-------------|--------------------|------------------|-------------------|
| | Nickel | USBFTVX6N | USBFTVC6N |
| | Olive drab cadmium | USBFTVX6G | USBFTVC6G |

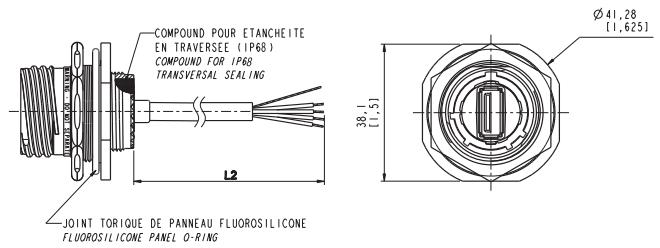
Square flange receptacle



Jam nut receptacle



Cable end Type "A" (Standard USB "A" Plug)



Cable end Type "OPEN" (No connector)

Part number code

| | | | | | | | | |
|-------------------|--|---------|----|---|---|---|----|---|
| Series | USB Field TV | USBFTVC | 25 | A | 2 | N | 03 | A |
| Shell Type | 25: Square flange receptacle 75: Jam nut receptacle | | | | | | | |
| Coding | "A" (Standard) or "B" | | | | | | | |
| Back Terminations | 2: Rugged USB cable | | | | | | | |
| Shells Plating | N: Nickel G: Olive drab cadmium plating | | | | | | | |
| USB cable length | 03: 30 cm [11.81 inches] 05: 50 cm [19.68 inches] 10: 1 meter [39.37 inches] | | | | | | | |
| USB cable end | A: Standard USB-A plug OPEN: Open cable (no connector) | | | | | | | |

CAPS for receptacles :

| Part number | Plating | Cap for square flange receptacle | Cap for jam nut receptacle |
|--------------------|---------|----------------------------------|----------------------------|
| | Nickel | | USBFTVC2N |
| Olive drab cadmium | | USBFTVC2G | USBFTVC7G |