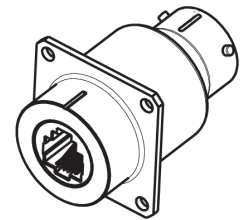
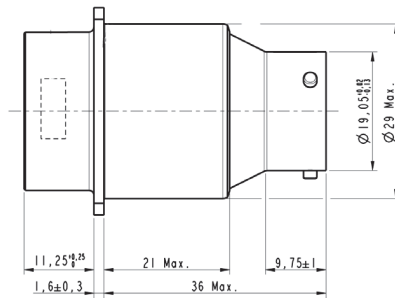




# Special RJ11 adaptor

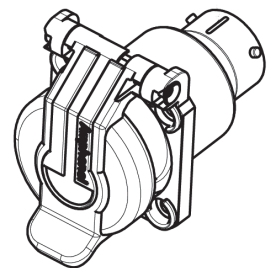
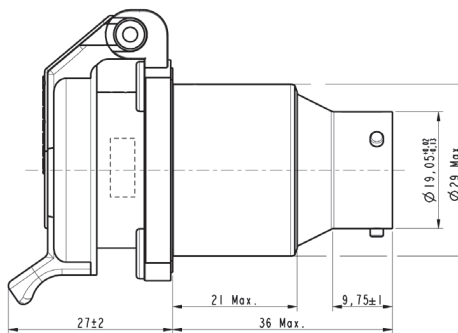
For Military & Commercial Aeronautics

## RJ11 adaptor only

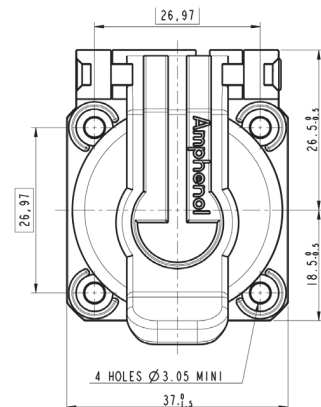
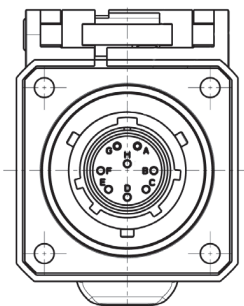


Part number	Coding
35639	Y
35641	W
35643	Z
35645	N

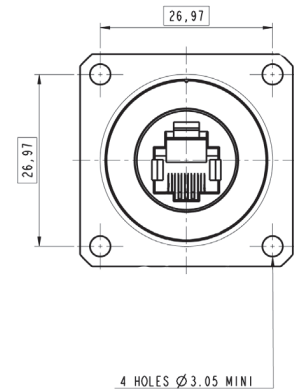
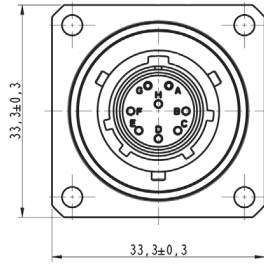
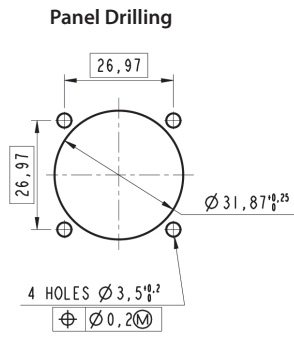
## RJ11 adaptor + Self Closing Cap



Part number	Coding
35623	N
35640	Y
35642	W
35644	Z



For all options:



12-8 Male contact / EN3155

