

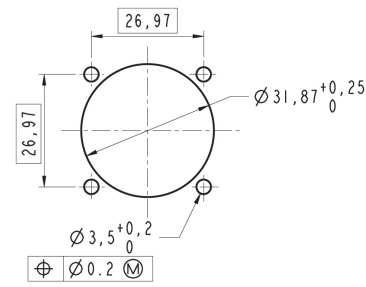
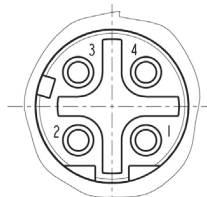
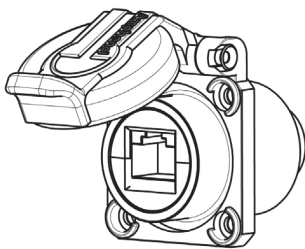
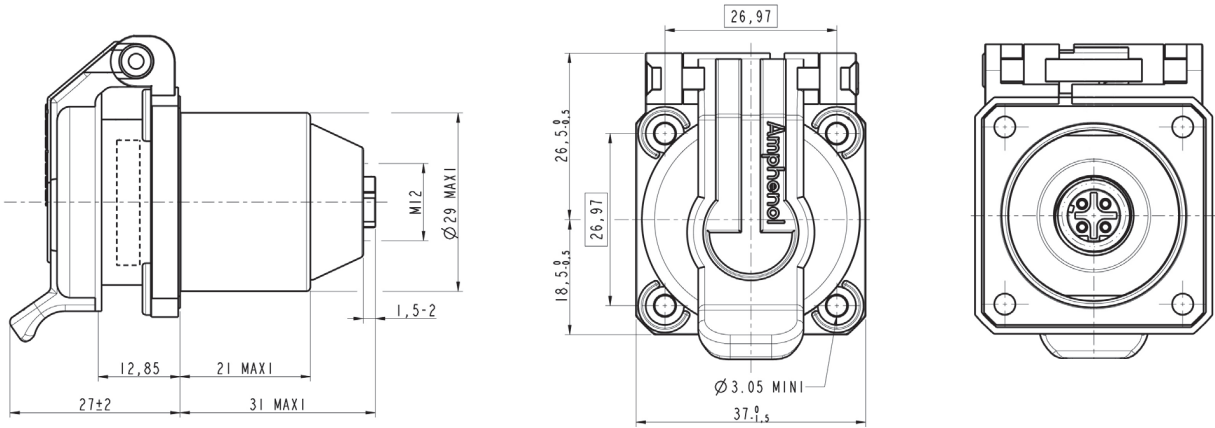


RJ45/M12 adaptor

RJ45/M12 adaptors allow to give an access point with RJ45 on M12 D coded based networks. Especially used in Railway applications.



Part number : 35655
Nickel plating.



M12-D	RJ45 contact position
1	1
2	3
3	2
4	6